

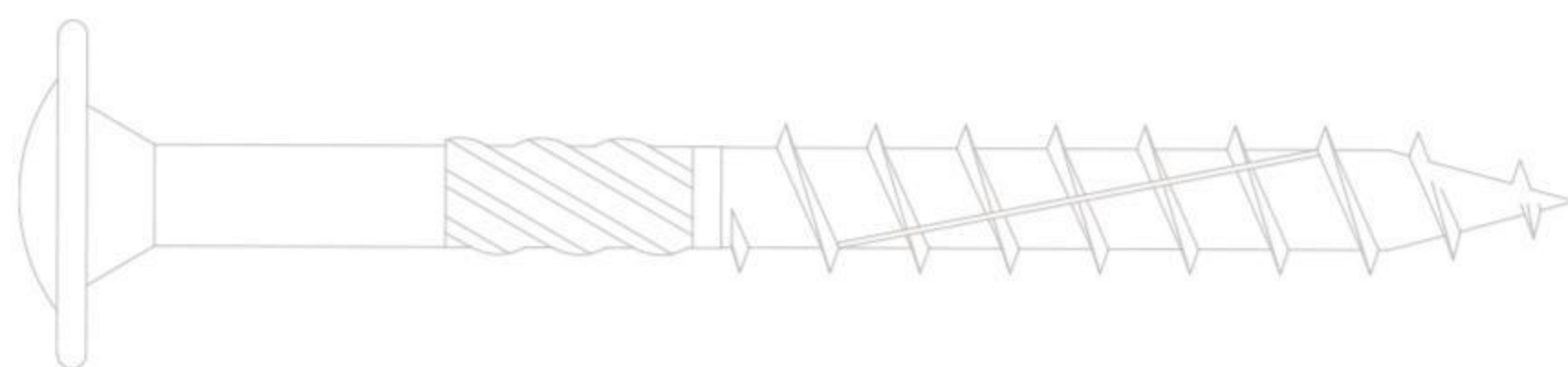
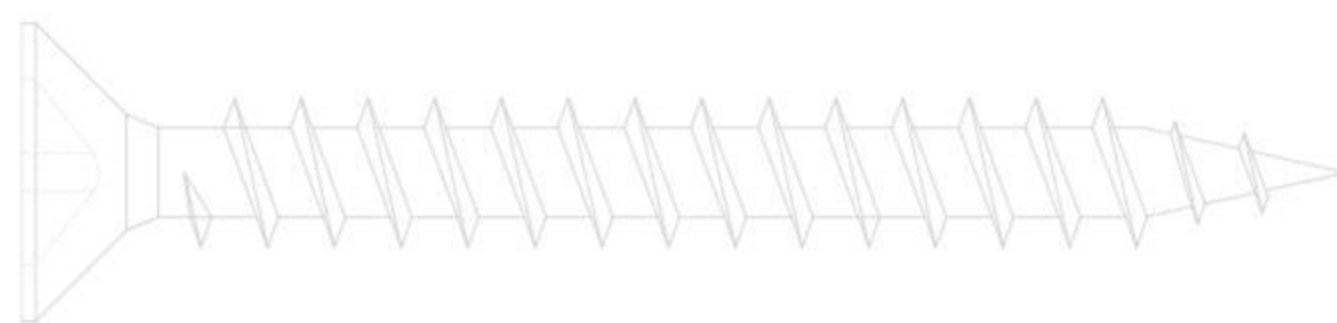
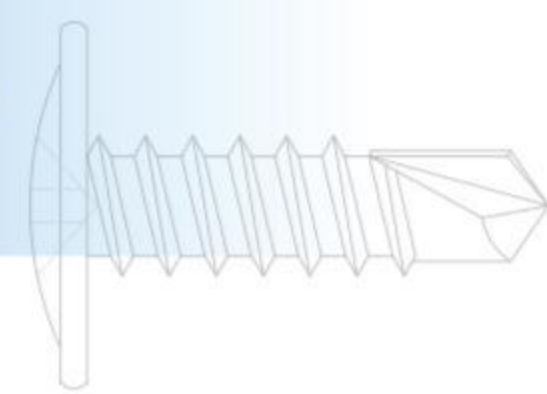


YOUSUN

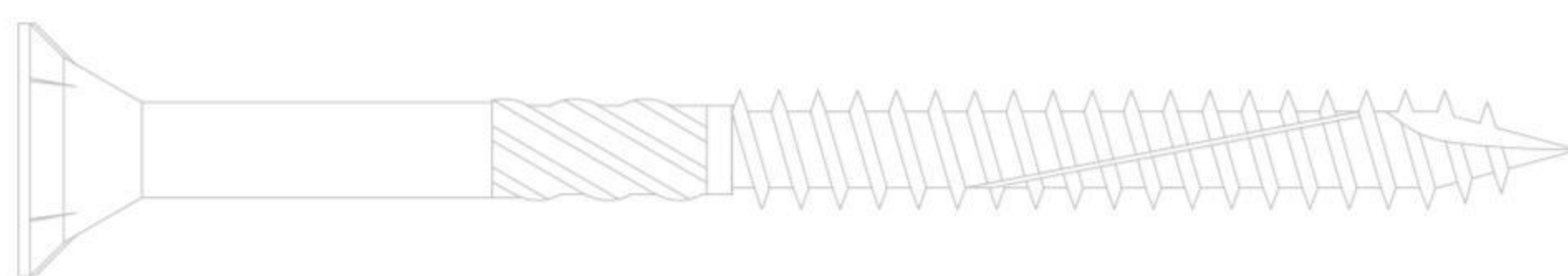
WE ARE EXPERT IN SCREW ONLY

YOUSUN

Tariff code: C788 39.6% ADD



Haiyan Yousun Enterprise Co., Ltd





ETA-24/0796



ISO 9001



ISO 14001



ISO 45001

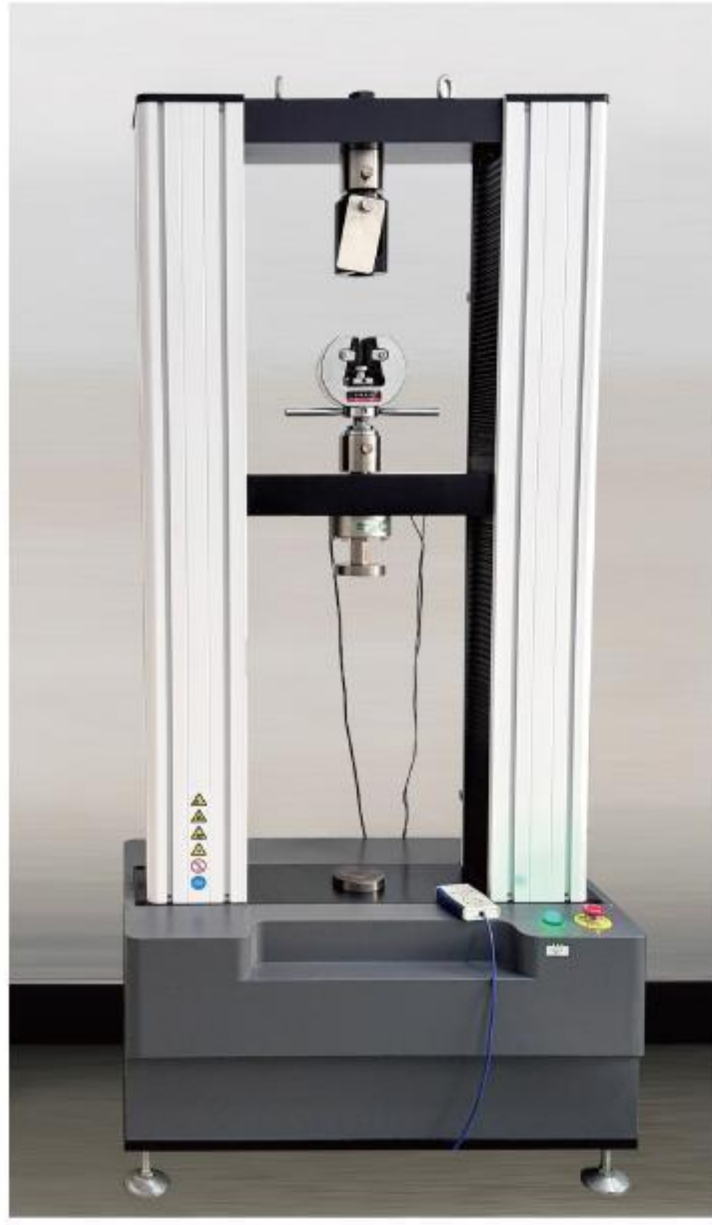
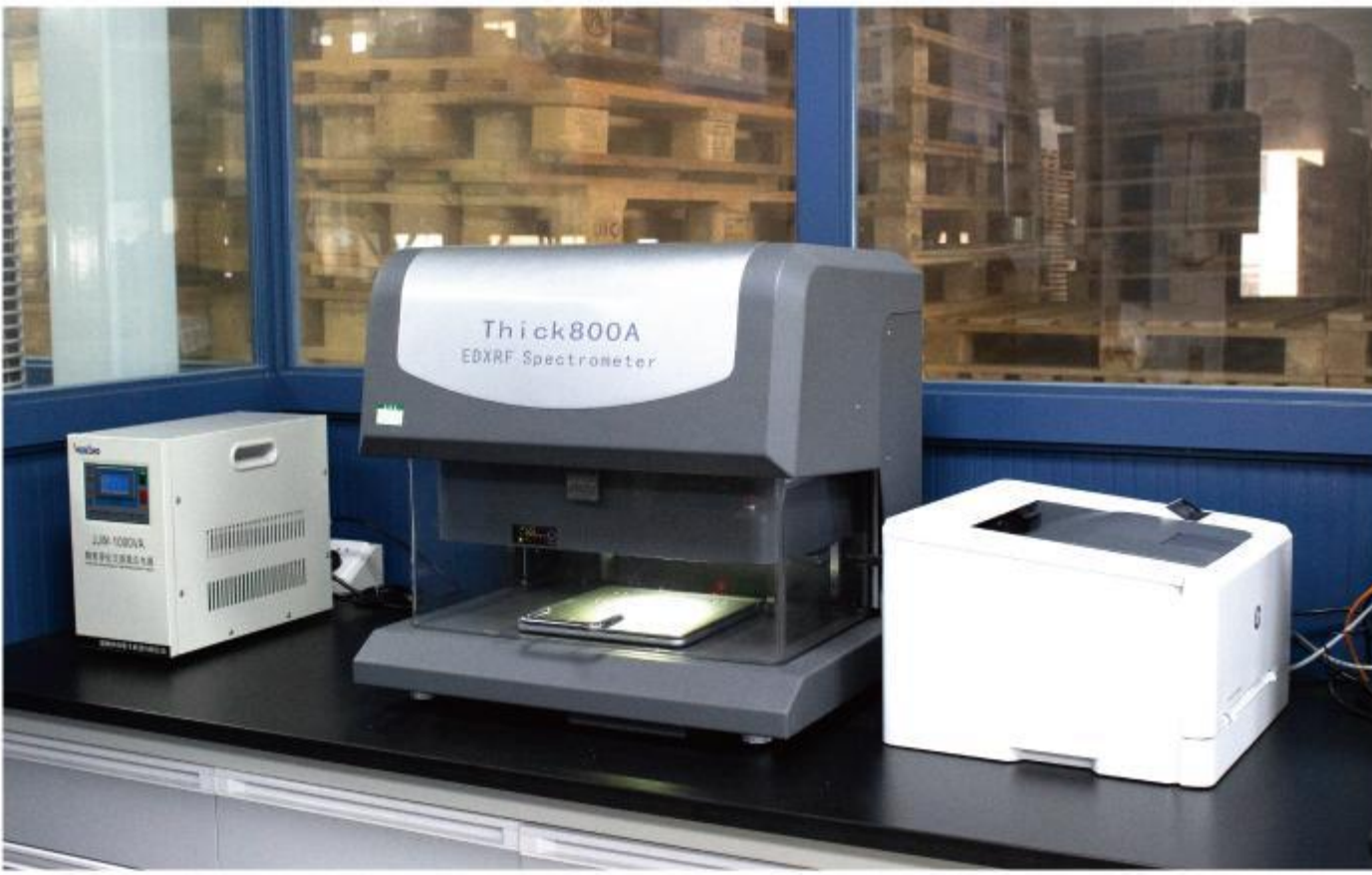
COMPANY PROFILE >>>

Haiyan Yousun Enterprise Co., Ltd. factory's ADD rate imposed by the EU is only 39.6% with tariff code: C788. Our YOUSUN factory is specialized in producing wood construction screws, chipboard screws and drywall screws with the production capacity of 1000 tons/month. We have the ETA certificate for wood construction screws, as well as the CE certificates for drywall screws and chipboard screws. Welcome to visit us!





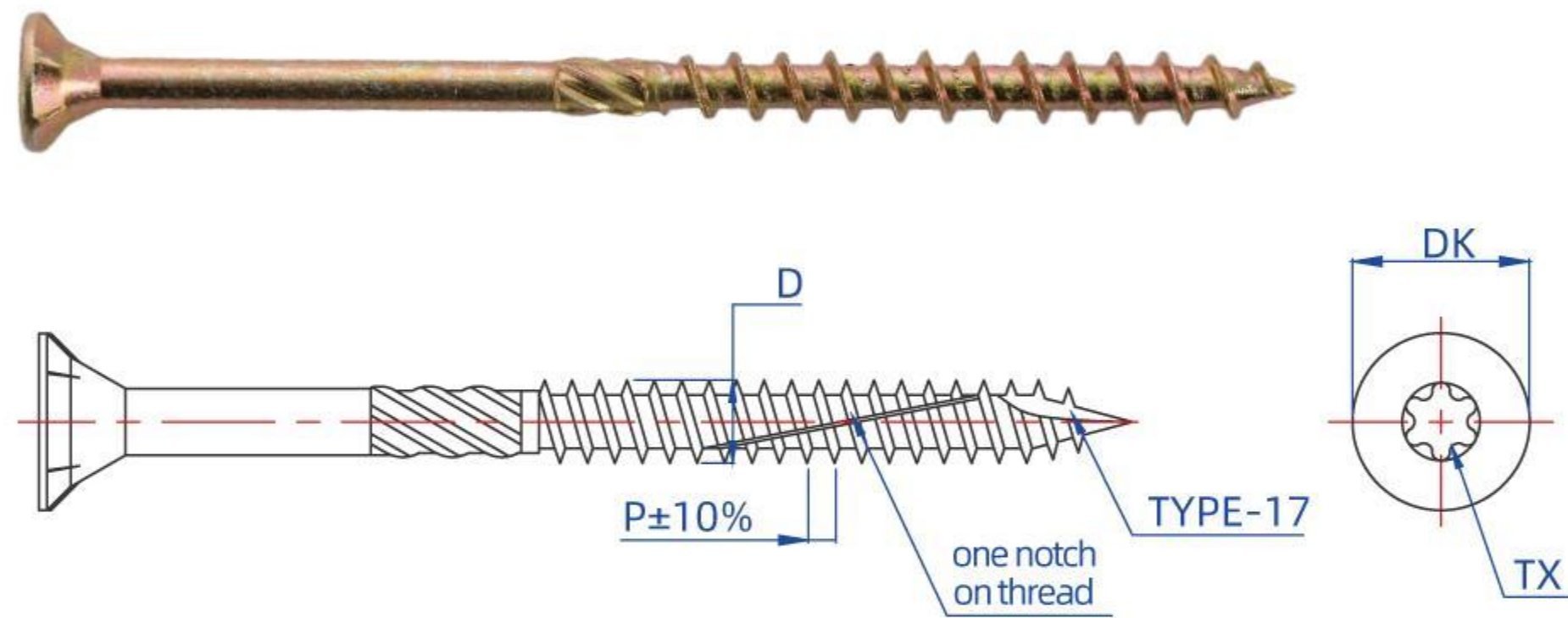
Our Workshop



Our Laboratory



COUNTERSUNK HEAD TORX WOOD CONSTRUCTION SCREW

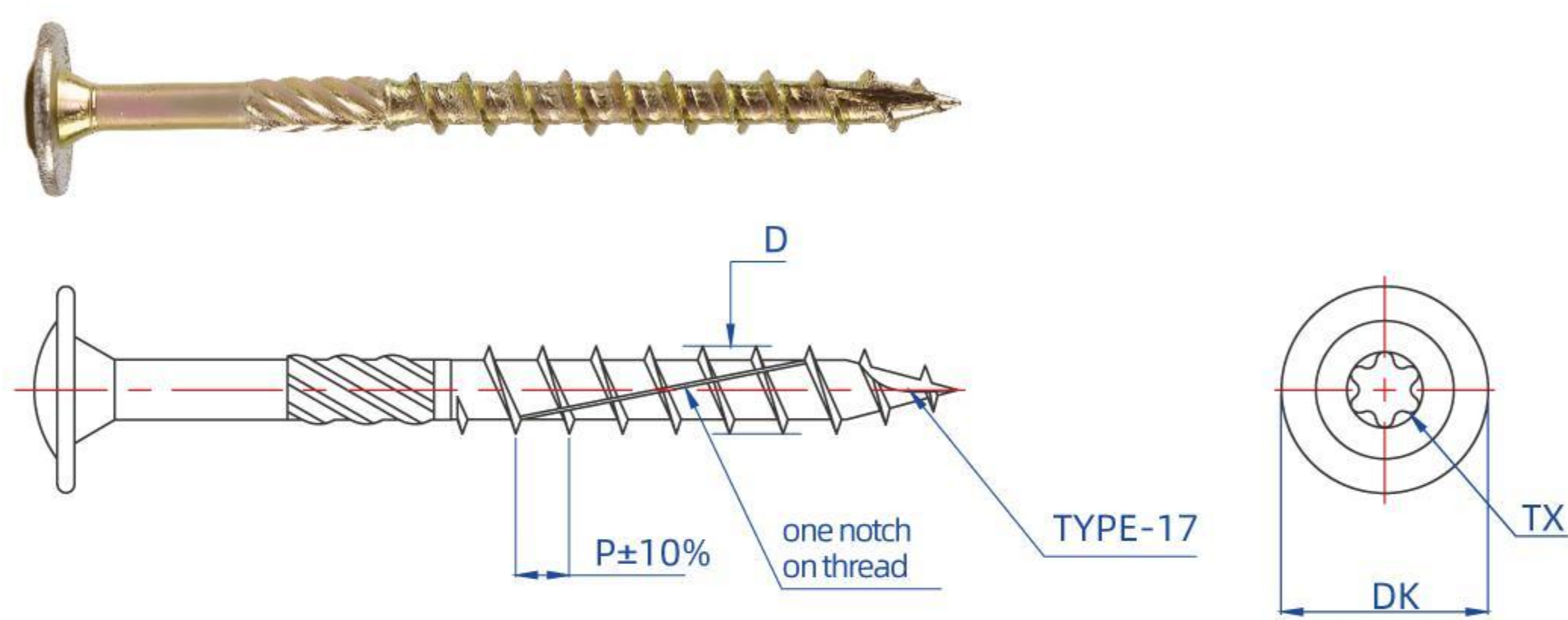


Finish: Zinc Plated/Yellow Zinc Plated/Zinc Flake

Materials: Carbon Steel/Stainless Steel

Size	D		Dk		P	TX
	Max.	Min.	Max.	Min.		
M3.0	3.10	2.80	6.0	5.6	±10%	No.
M3.5	3.60	3.30	7.0	6.6	1.80	T10
M4.0	4.10	3.80	8.0	7.5	2.20	T15
M4.5	4.60	4.20	9.0	8.5	2.60	T20
M5.0	5.10	4.70	10.0	9.5	2.80	T25
M6.0	6.20	5.80	12.0	11.5	3.20	T25
M8.0	8.30	7.80	15.2	14.3	4.50	T30
M10.0	10.30	9.70	18.2	17.4	5.50	T40
					6.60	T40

WAFER HEAD TORX WOOD CONSTRUCTION SCREW

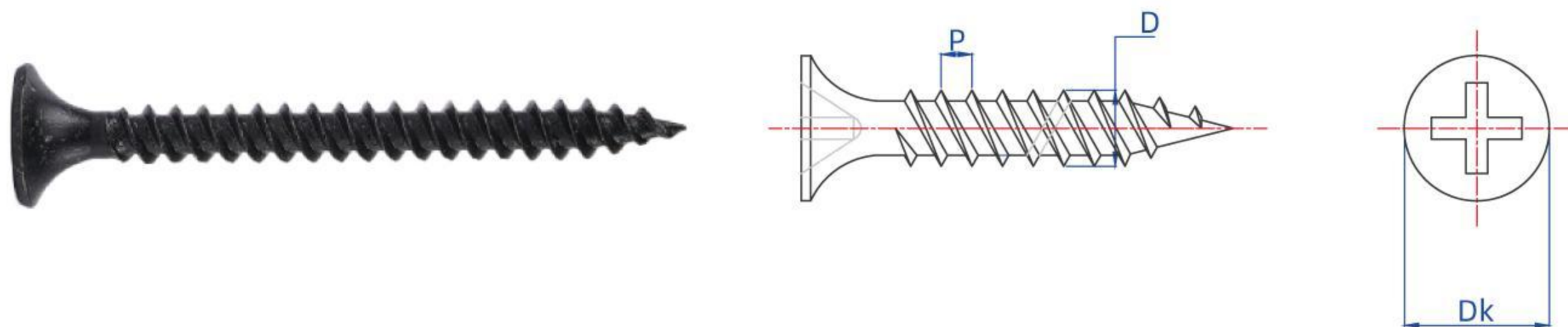


Finish: Zinc Plated/Yellow Zinc Plated/Zinc Flake

Materials: Carbon Steel/Stainless Steel

Size	D		Dk		P	TX
	Max.	Min.	Max.	Min.		
M3.0	3.10	2.80	7.80	7.20	±10%	No.
M3.5	3.60	3.30	8.80	8.20	1.80	T10
M4.0	4.10	3.80	9.80	9.00	2.20	T15
M4.5	4.60	4.20	11.00	10.20	2.60	T20
M5.0	5.10	4.70	12.00	11.20	2.80	T25
M6.0	6.20	5.80	16.50	14.70	3.20	T25
M8.0	8.30	7.80	22.50	20.50	4.50	T30
M10.0	10.30	9.70	26.00	24.00	5.50	T40
					6.60	T40

PHS BUGLE HEAD FINE THREAD DRYWALL SCREW

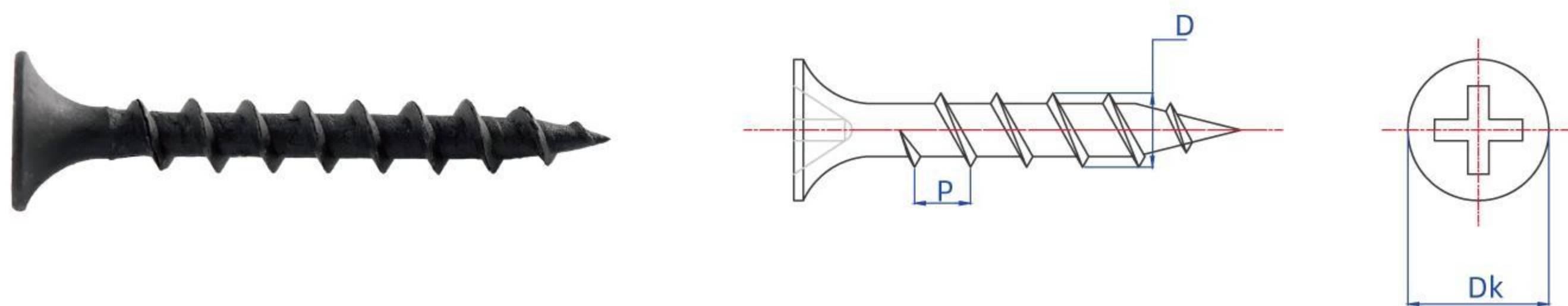


Finish: Black Phosphated/Grey Phosphated/Zinc Plated

Materials: Carbon Steel/Stainless Steel

Size	D		Dk		P	PH
	Max.	Min.	Max.	Min.		
3.5	3.65	3.43	8.4	8.0	±10% 17	No. 2
3.9	4.00	3.75	8.4	8.0	16	2
4.2	4.35	4.05	8.4	8.0	15	2
4.8	4.98	4.70	8.8	8.4	12	2

PHS BUGLE HEAD COARSE THREAD DRYWALL SCREW

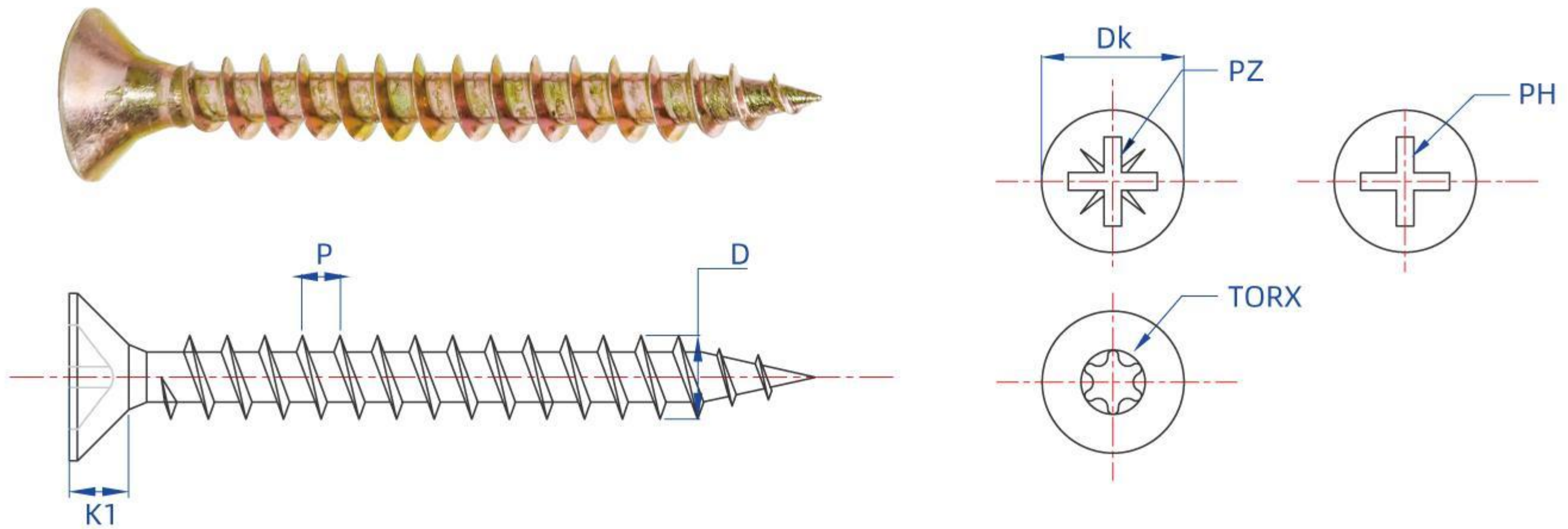


Finish: Black Phosphated/Grey Phosphated/Zinc Plated

Materials: Carbon Steel/Stainless Steel

Size	D		Dk		P	PH
	Max.	Min.	Max.	Min.		
3.5	4.0	3.6	8.4	8.0	±10% 9	No. 2
3.9	4.3	3.9	8.4	8.0	9	2
4.2	4.6	4.2	8.4	8.0	8	2
4.8	5.3	4.9	9.0	8.5	8	2

FLAT HEAD CHIPBOARD SCREW

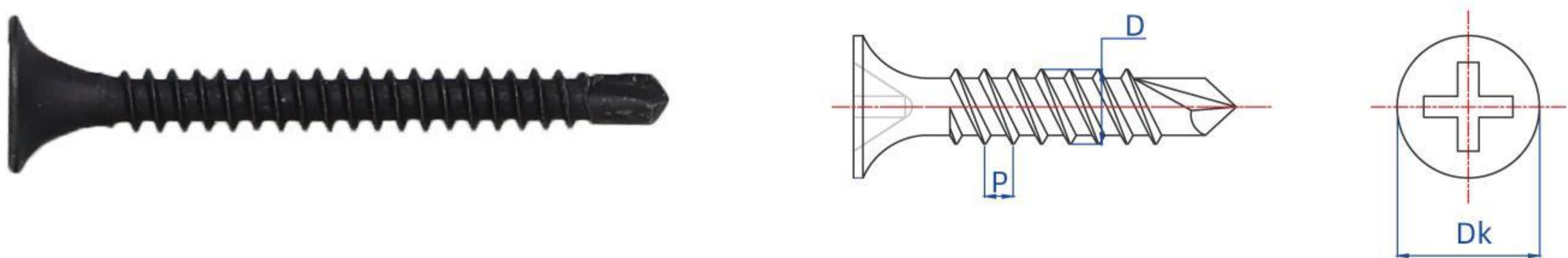


Finish: Zinc Plated/Yellow Zinc Plated/Zinc Flake

Materials: Carbon Steel/Stainless Steel

Size	k1		D		DK		P	PZ	PH	TORX
	Max.	Min.	Max.	Min.	Max.	Min.	≈	No.	No.	No.
M2.5	1.19	1.35	2.50	2.30	5.00	4.50	1.10	1	1	T10
M3.0	1.44	1.64	3.00	2.75	6.00	5.50	1.35	1	1	T10
M3.5	1.69	1.99	3.50	3.20	7.00	6.40	1.60	2	2	T15
M4.0	1.95	2.25	4.00	3.70	8.00	7.40	1.80	2	2	T20
M4.5	2.17	2.57	4.50	4.20	9.00	8.40	2.00	2	2	T25
M5.0	2.46	2.86	5.00	4.70	10.00	9.40	2.20	2	2	T25
M6.0	2.94	3.44	6.00	5.70	12.00	11.30	2.60	3	3	T30

PHS BUGLE HEAD DRYWALL SELF DRILLING SCREW

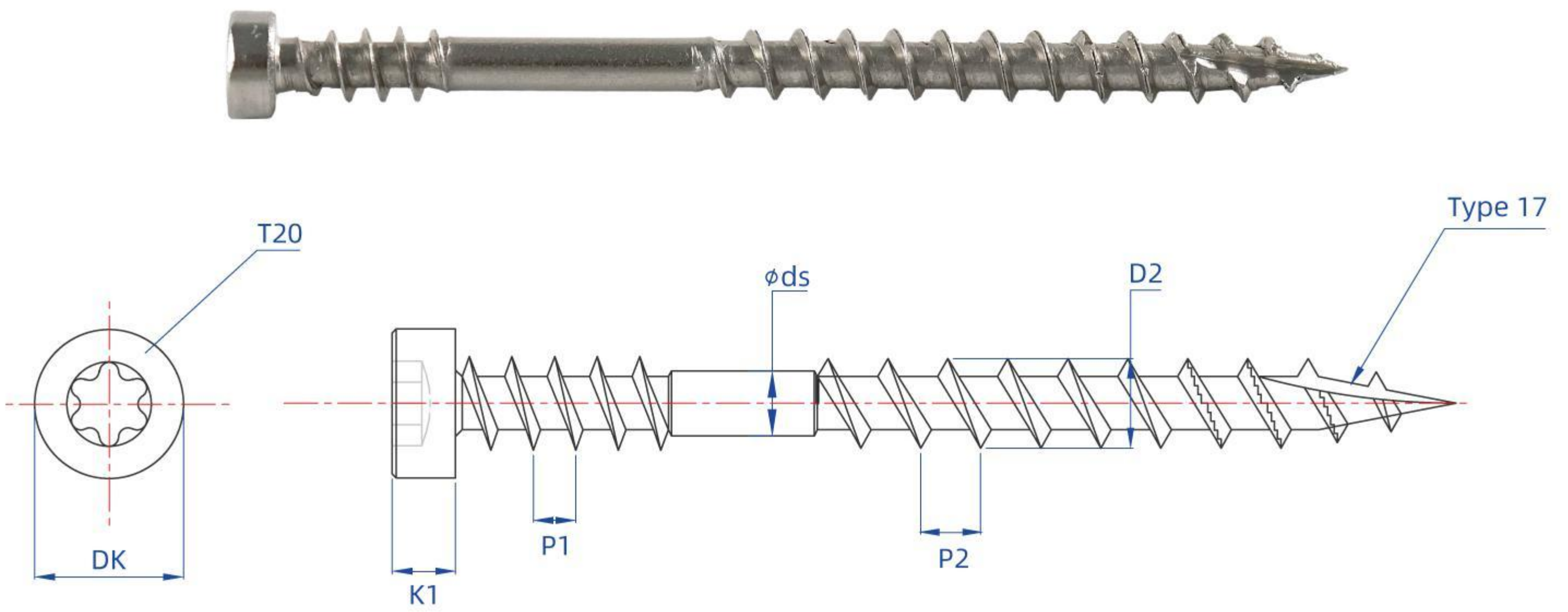


Finish: Black Phosphated/Grey Phosphated/Zinc Plated

Materials: Carbon Steel/Stainless Steel

Size	D		DK		P	PH
	Max.	Min.	Max.	Min.	±10%	No.
3.5	3.53	3.35	8.40	8.00	1.30	2
3.9	3.91	3.73	8.40	8.00	1.30	2
4.2	4.22	4.04	8.40	8.00	1.40	2
4.8	4.80	4.62	9.20	8.80	1.60	2

DECKING SCREW

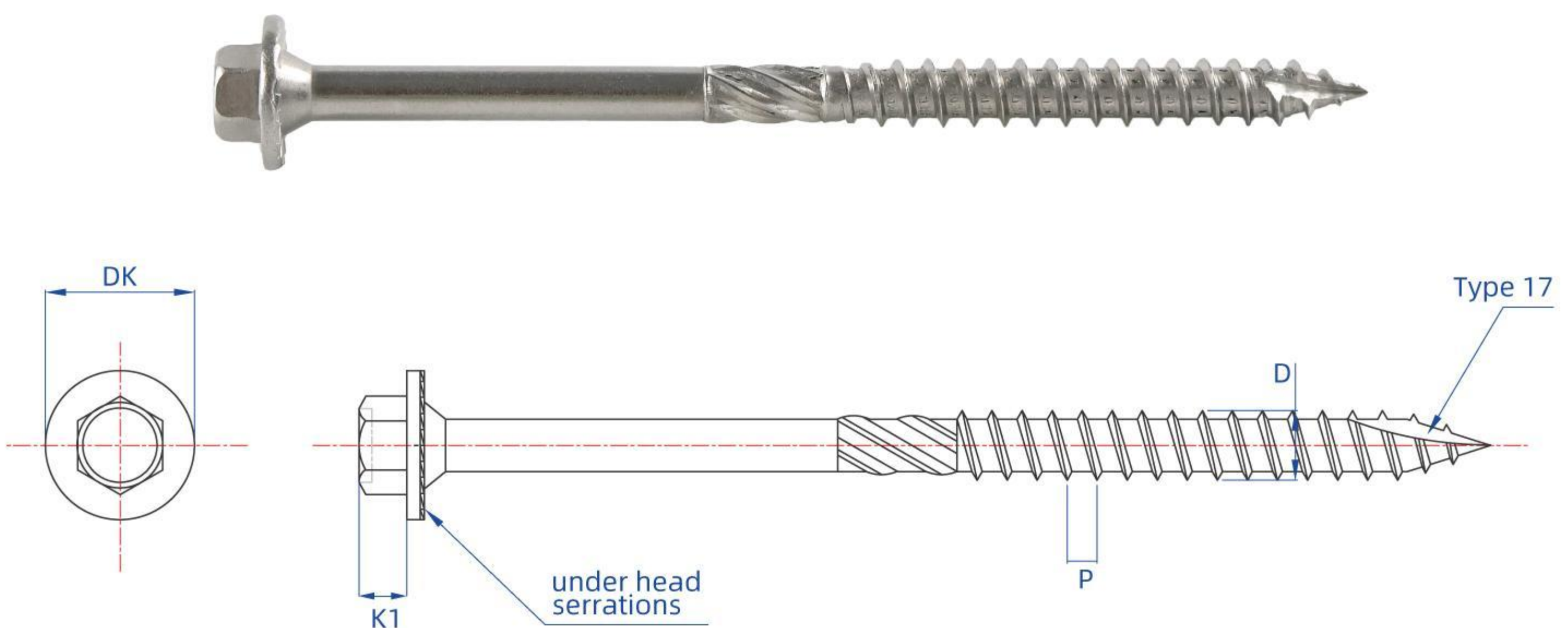


Materials: Stainless Steel

Size	K1		Dk		D2		P1	P2	PH
	Max.	Min.	Max.	Min.	Max.	Min.	≈	≈	No.
4.5	3.30	2.70	7.50	7.50	4.70	4.30	2.00	2.82	T20

Note: Customized sizes can be provided upon request.

TIMBER FIXING SCREWS



Materials: Stainless Steel/Carbon Steel

Size	Dk		H		D		P
	Max.	Min.	Max.	Min.	Max.	Min.	≈
6.3	14.5	14.0	4.45	4.15	6.55	6.30	2.82

Note: Customized sizes can be provided upon request.



Haiyan Yousun Enterprise Co., Ltd

- Website: <https://www.yousunfastener.com>
- Address: No. 333 Daifeng Road, Wanghai Street, Jiaxing City, Haiyan County, P.R. China
- Telephone: 0086-573-82119831
- Email: vicky@yousunfastener.com

